

Chapter 2. Fluid Statics

Fluid mechanics (유체역학) – 단위조작의 기본 분야

관, 펌프에서의 유체이동, 교반, 반응
열전달, 확산, 물질전달 등 분리조작의 기초



“Engineering science dealing with the behavior of fluids”



liquid, gas, vapor

Fluid Statics (유체 정역학)

: treats fluids in the equilibrium state of no shear stress

Fluid Dynamics (유체 동역학)

: treats fluids when portions of the fluid are in motion

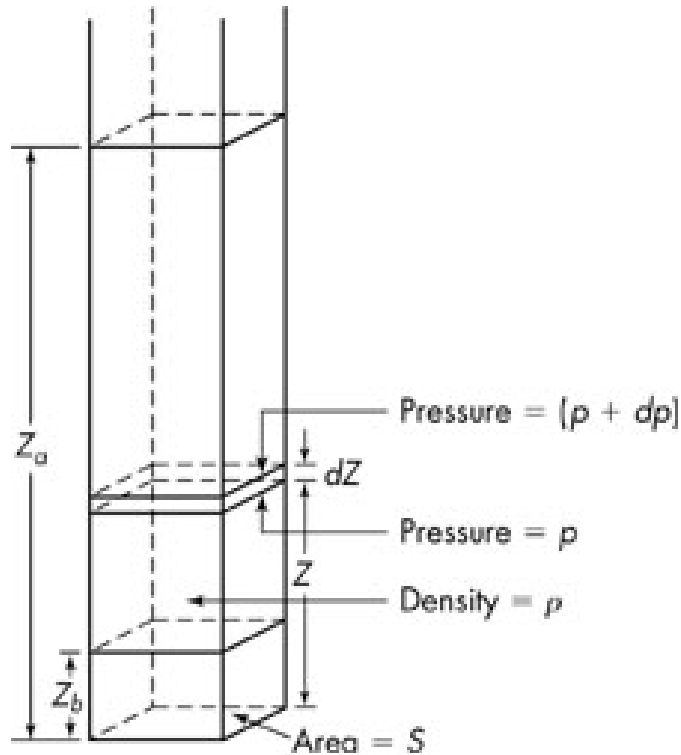
Incompressible fluids (비압축성 유체) – density changes are neglected ($\rho = \text{const.}$)

Compressible fluids (압축성 유체) – density changes are significant

Hydrostatic equilibrium

정지 유체의 압력: 높이에 따라 다름.

지면과 평행한 단면에서는 동일



All forces on the small volume of fluid $\rightarrow 0$
(그렇지 않은 경우엔 “유동”이 존재)

$$\therefore \sum F_i = 0$$

F_1 (the force acting in an upward direction)

$$: pS$$

F_2 (the force acting in a downward direction)

$$: (p+dp)S$$

F_3 (gravitational force): $g\rho S \cdot dZ$

$$\therefore pS - (p + dp)S - g\rho SdZ = 0$$

← upward direction: positive (+)

$$\boxed{dp + g\rho dZ = 0} \text{ ----- (2.2)}$$

For incompressible fluids ($\rho = \text{const.}$)

$$\boxed{p_b - p_a = \rho g(Z_a - Z_b)} \text{ ----- (2.4)}$$

$$\text{즉, } \Delta p = \rho g \Delta Z$$

- **Head of a liquid** (액체의 높이압)

: the relationship between pressure and the height of a liquid column

$$Z = p / \rho g \quad (Z: \text{head})$$

- Barometric equation (기압 방정식)

For an ideal gas, ($\rho \neq 0$)

$$\rho = \frac{pM}{RT} \quad \longleftarrow \quad pV = nRT = \frac{m}{M}RT \quad (\rho = m/V)$$

Eq. (2.2) becomes

$$\frac{dp}{p} + \frac{gM}{RT} dZ = 0$$

Integrating between levels a & b, (assuming that T is constant)

$$\boxed{\frac{p_b}{p_a} = \exp\left(-\frac{gM(Z_b - Z_a)}{RT}\right)} \quad : \text{barometric eq'n (2.7)}$$

—————> 관련 문제: Prob. 2.2

- Rotating centrifuge (원심분리기)

Pressure drop over any ring of rotating liquid,

(회전하는 원심분리기 속 액체의 압력강하)

Δp

$$dF = r\omega^2 dm$$

$$\leftarrow F = ma, \quad \therefore dF = adm$$

$$a = r\omega^2$$

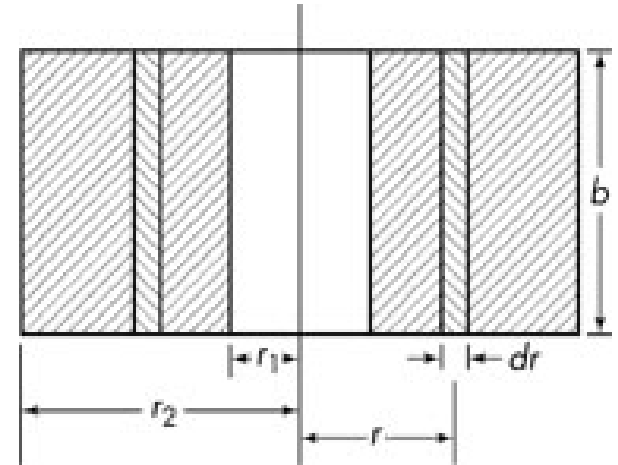
$$\leftarrow a = \frac{dv}{dt} = \frac{vd\theta}{dt} = v\omega = r\omega^2$$

$$dm = 2\pi\rho r b dr \quad \leftarrow 2\pi r dr (\text{면적}), b (\text{높이})$$

$$\leftarrow dm = \rho dS \cdot b$$

$$dS = 2\pi r dr$$

$$\therefore dF = 2\pi\rho b\omega^2 r^2 dr$$



$$\begin{aligned}\text{Since } dp &= \frac{dF}{2\pi r b} \\ &= \omega^2 \rho r dr\end{aligned}$$

r_1 에서 r_2 까지 적분하면,

$$p_2 - p_1 = \int_{r_1}^{r_2} \omega^2 \rho r dr$$

Assuming ρ is constant,

$$\therefore p_2 - p_1 = \frac{\omega^2 \rho (r_2^2 - r_1^2)}{2} \quad \text{----- (2.8)}$$

—————> 관련 문제: Prob. 2.6

- Manometer (압력차 측정기)

여기서는 U-tube manometer의 원리

$$p_1 \text{ (at pt. 1): } p_a$$

$$p_2 \text{ (at pt. 2): } p_a + g(Z_m + R_m)\rho_B$$

$$p_3 \text{ (at pt. 3)} = p_2$$

$$p_4 \text{ (at pt. 4): } p_3 - gR_m\rho_A$$

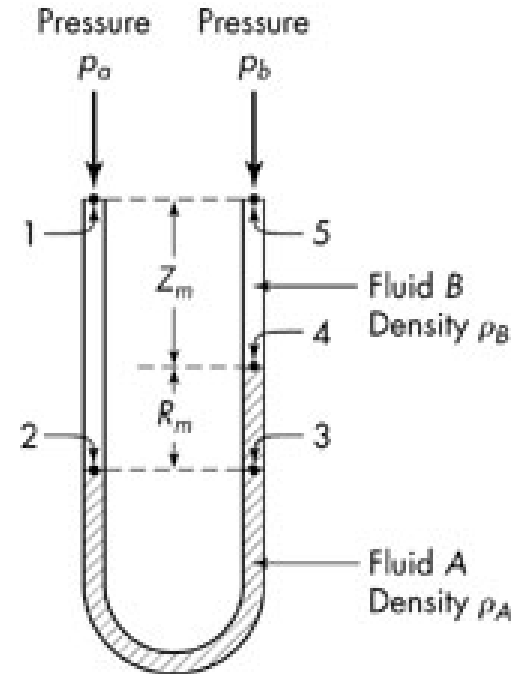
$$p_5 \text{ (at pt. 5): } p_4 - gZ_m\rho_B \\ = p_b$$

$$\therefore p_a + g[(Z_m + R_m)\rho_B - R_m\rho_A - Z_m\rho_B] = p_b$$

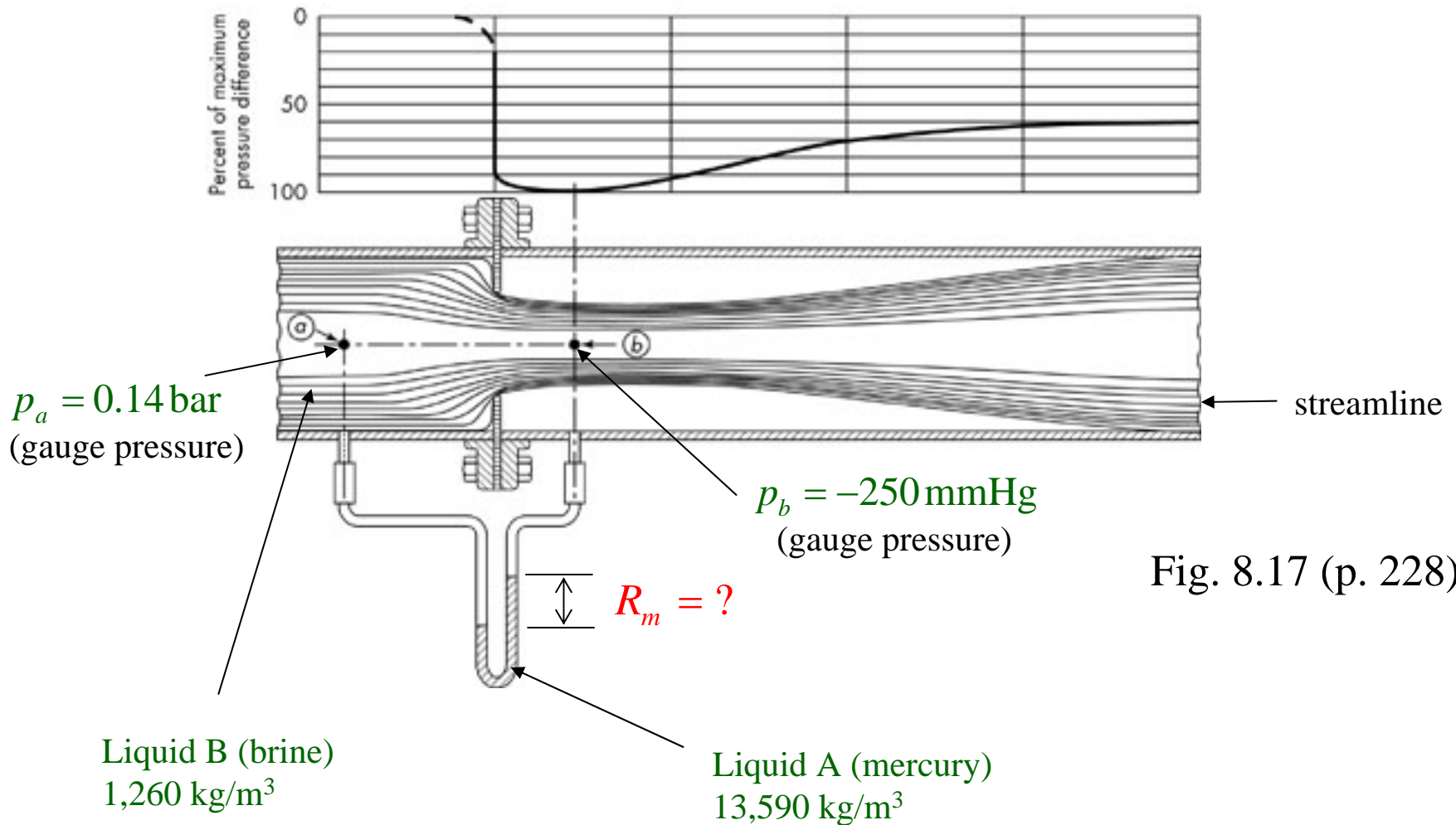
$$\rightarrow \boxed{\therefore p_a - p_b = gR_m(\rho_A - \rho_B)} \quad \text{----- (2.10)} \quad \text{관련 문제: Prob. 2.1}$$

→ 만일 ρ_B 를 무시할 수 있으면 $\Delta p = \rho g \Delta R_m$ 으로 됨

U관 마노미터



(Ex. 2.1) Pressure drop across an orifice (orifice meter)



$$p_a = 0.14 \text{ bar}$$

$$= 0.14 \times 10^5 \text{ Pa}$$

$$= 14,000 \text{ Pa}$$

$$p_b = -250 \text{ mmHg}$$

$$= \frac{-250}{1,000} \times g \times \rho$$

$$= -33,318 \text{ Pa}$$

From Eq. (2.10):

$$p_a - p_b = gR_m(\rho_A - \rho_B)$$

$$\therefore R_m = 0.391 \text{ m (391 mm)}$$

cf.) Absolute p = Atmospheric p + Gauge p (절대압 = 대기압 + 게이지압)

$$\text{절대압으로는 } p_a = 1 \text{ atm} + 0.14 \text{ bar} = 1.153 \text{ bar}$$

$$p_b = 1 \text{ atm} - 250 \text{ mmHg} = 510 \text{ mmHg}$$

Related Problems

(Probs.) 2.1, 2.2, 2.6, 2.11, 2.12 and 2.13