


## 발명소개광장-(9)

공개번호	US Patent 5,713,081 / Issued 1997
제 목	Pantyhose Garment with Spare Leg Portion
출원인	Annette L. Pappas and Nita A. Vaccaro
<b>발 명 요 약</b>	
<p>With this ingenious design you simply (and discretely) rotate your leg into the new, unblemished pantyhose appendage. The damaged hosiery leg is then tucked into a pocket in the crotch of the pantyhose. Comfortable? You be the judge</p> <p>매우 특이한 발상으로 이루어 낸 팬티스타킹이다. 일반적으로 2개의 다리로 생각하기 쉬운 고정관념을 깨트리고 하나 더 여벌의 다리를 만들어 구멍이 났거나 아니면 헤졌을 때, 간단하게 다른 쪽을 사용할 수 있다는 장점이 있겠지만, 아무튼 미국특허를 받았으니까 개인적으로 판단을 잘해보시길 바랍니다. 과연 성공할 수 있는 발명인지?</p> <div style="text-align: center;">  </div>	



US005713081A

**United States Patent** [19]

[11] **Patent Number:** 5,713,081

**Pappas et al.**

[45] **Date of Patent:** Feb. 3, 1998

[54] **PANTYHOSE GARMENT WITH SPARE LEG PORTION**

**OTHER PUBLICATIONS**

[76] Inventors: **Annette L. Pappas**, 907 Poplar St., Metairie, La. 70001; **Nita A. Vaccaro**, 4517 Lake Louise, Metairie, La. 70006

partial translation of the German reference '675, Jan. 1973.

*Primary Examiner*—Jeanette E. Chapman  
*Attorney, Agent, or Firm*—Joseph N. Breaux

[21] Appl. No.: **751,501**

[57] **ABSTRACT**

[22] Filed: **Nov. 18, 1996**

[51] **Int. Cl.<sup>6</sup>** ..... **A41B 11/00**

[52] **U.S. Cl.** ..... **2/409; 2/239; 66/178 R**

[58] **Field of Search** ..... **2/239, 240, 409, 2/79, 237; 66/178 R, 169 R, 170, 172 R, 173, 172 E, 174, 175, 176, 177, 179, 180, 181, 182, 183, 184, 185, 186, 187, 188, 178 A, 189**

A hosiery item including a panty member having three absorbent crotch members provided therein, each absorbent crotch member having a pocket formed therein; and three leg portions secured to the panty member in a manner such that an absorbent crotch member is positioned between any two leg portions, each leg portion having a leg insertion opening in connection with an interior of the panty member. In use the wearer inserts her legs into two of the leg opening in the conventional fashion of donning a pair of pantyhose. The remaining unused leg portion is then gathered and the toe end tucked into the pocket of one of the absorbent crotch members. If a run or hole develops in one of the leg portions being worn, the leg of the wearer can be easily and rapidly removed from the damaged leg portion and placed into the undamaged spare leg portion. The damaged leg portion is then gathered, folded and tucked into a pocket of one of the absorbent crotch members as wearer to select and use any two of the three leg portions for use.

[56] **References Cited**

**U.S. PATENT DOCUMENTS**

3,845,506	11/1974	Harris	2/224
4,019,208	4/1977	Walse, Jr. et al.	2/240
5,027,441	7/1991	Wilson	2/240
5,054,129	10/1991	Baehr	2/409
5,097,537	3/1992	Ewing	2/409

**FOREIGN PATENT DOCUMENTS**

2232675	1/1973	Germany	2/409
---------	--------	---------	-------

**8 Claims, 2 Drawing Sheets**

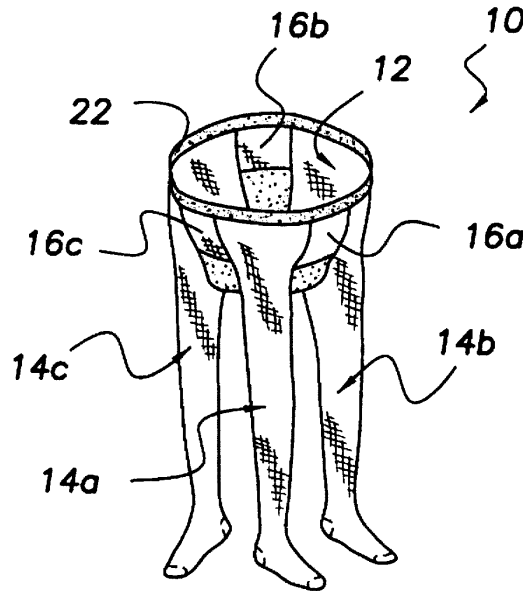


FIG. 1

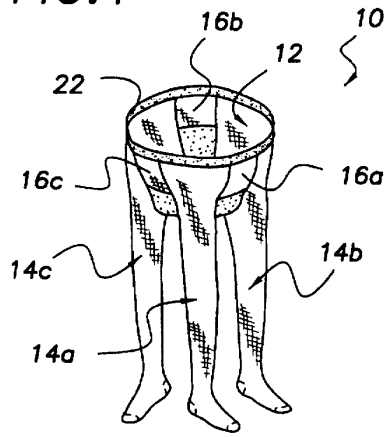


FIG. 2

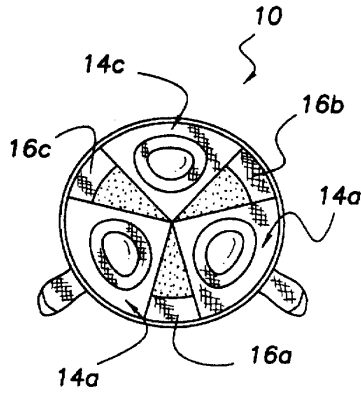


FIG. 4

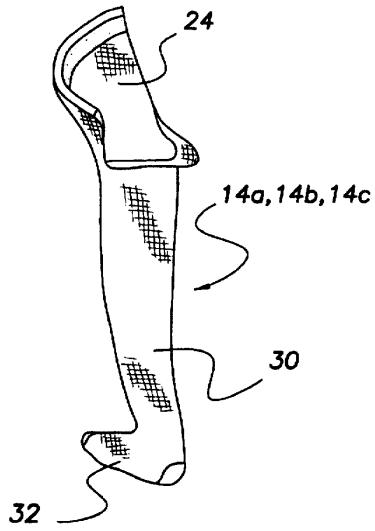


FIG. 3

